



Date: December 20, 1999
Subject: Gas Water Heater Conversion Policy
To: All Accounts

No. 137 Rev. 2

* This supersedes all previous letters and field bulletins concerning residential and commercial water heater conversion.

GAS WATER HEATER CONVERSION POLICY

All A.O. Smith Water Products Company's residential and commercial gas water heaters are designed certified by CSA or UL, under ANSI Standards for operation on one type of gas only, as indicated on the water heater's model number and rating plate.

A.O. Smith realizes that there may be certain situations where a field conversion may be necessary and in order to facilitate such a conversion, A. O. Smith complies with CSA or UL regulations ensuring that a field conversion be appropriately and safely completed.

An improper field conversion from one type of gas to another could cause potentially dangerous conditions that may cause an explosion or fire resulting in property damage, bodily injury or both.

A.O. SMITH WILL ONLY ALLOW THE CONVERSION OF GAS WATER HEATERS FROM LP GAS (PROPANE) TO NATURAL GAS. THE CONVERSION OF A GAS WATER HEATER FROM NATURAL GAS TO LP GAS (PROPANE) IS NOT ALLOWED UNDER ANY CIRCUMSTANCES.

A.O. Smith will provide kits as demand warrants through our Parts Department, phone no. 1-800-433-2545. Prices, dimensions and specifications are subject to change without notice.

Each conversion kit is to be installed by an A.O. Smith service agent or a gas utility serviceman in accordance with A.O. Smith's written instructions and all codes and requirements of the authority having jurisdiction. Failure to follow instructions could result in serious injury or property damage. The utility performing this work assumes responsibility for this conversion.

Changing the Input on Gas Water Heaters

The only changes to the input of a gas water heater allowed are:

- Adjustments to match that shown on the rating plate of the heater. The installation instructions supplied with the heater indicate if adjustments to input are a required procedure.
- Changes made as required to adjust the heater for proper operation at high altitude as determined by a qualified service technician. Service manuals include the proper procedure for adjusting heaters at high altitudes.

Conversion of Gas Water Heaters

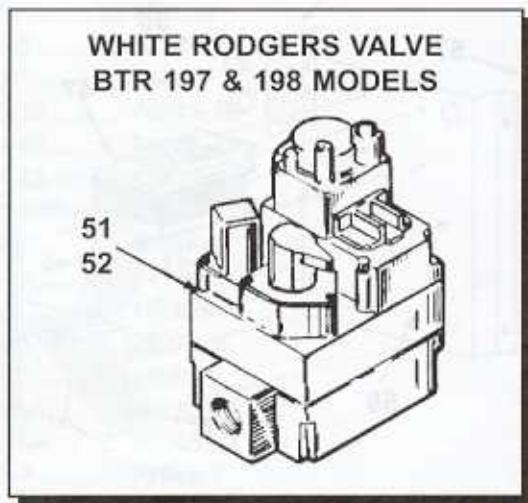
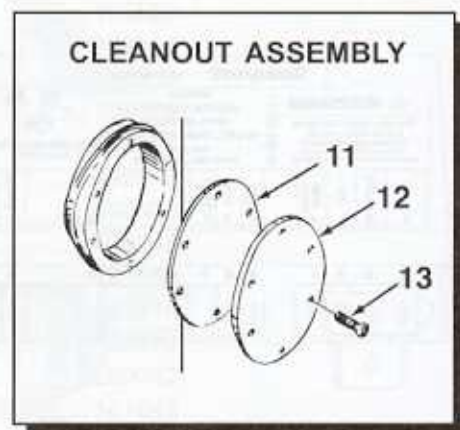
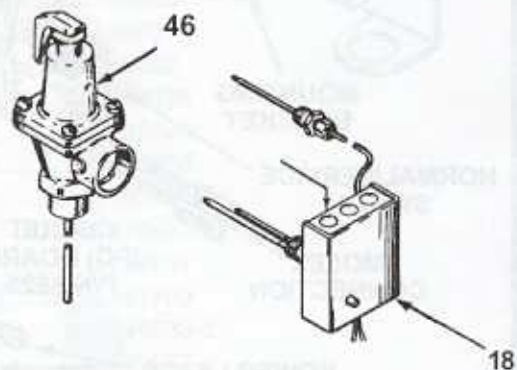
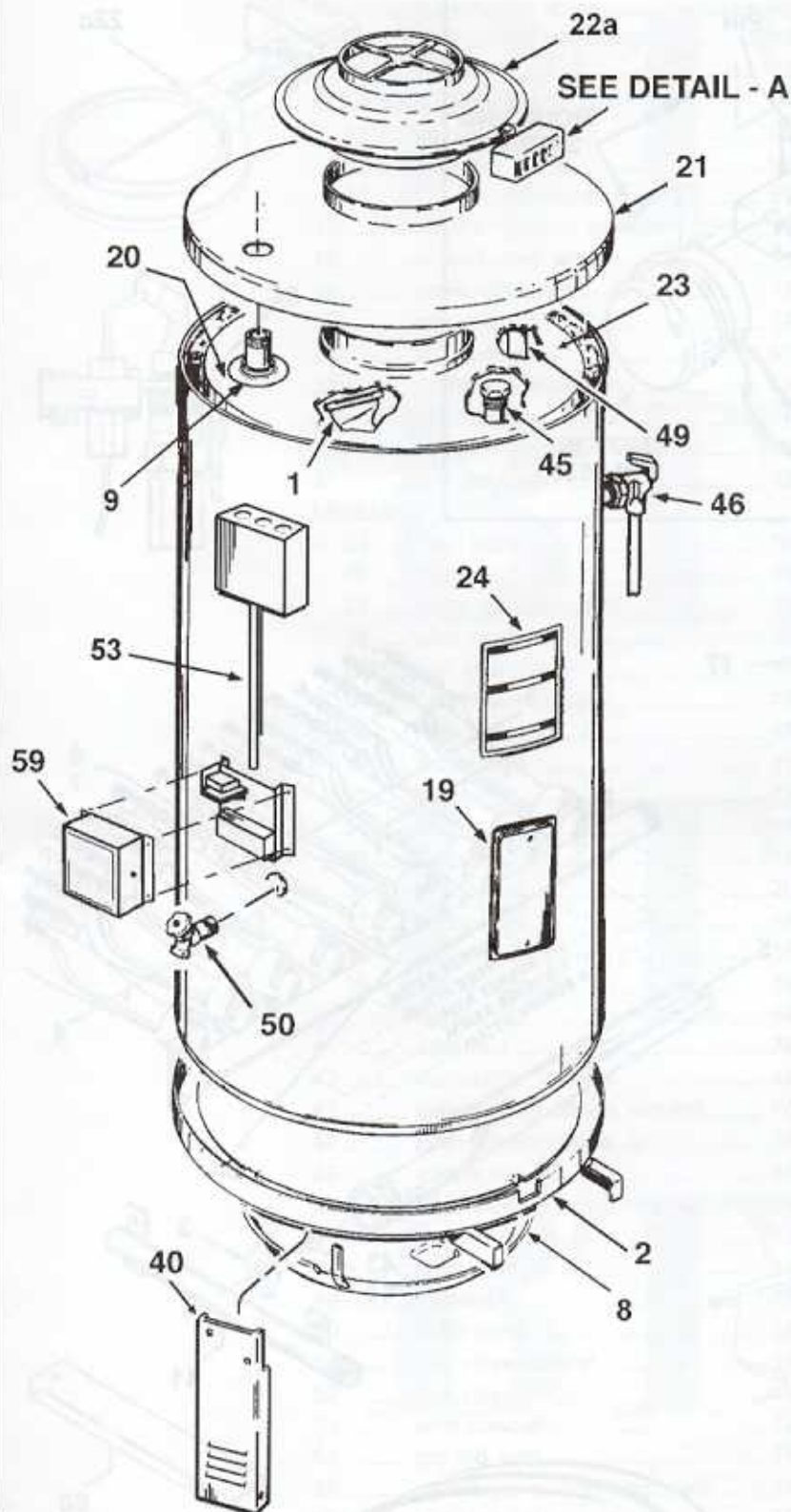
The conversion of LP gas (Propane) to Natural gas is ONLY allowed providing:

- The conversion is done as part of a gas utility's program where propane appliances were installed anticipating the completion of natural gas service to the area. The conversion must be done under the direct supervision of the utility and by their service representatives.

Claims of damage or injury arising from the unauthorized conversion of any A.O. Smith water heater not design certified for conversion will be the complete and total responsibility of the person or entity making the conversion.

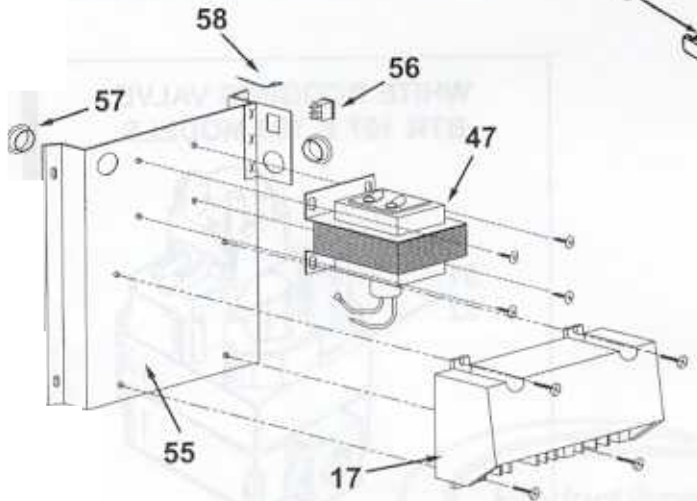
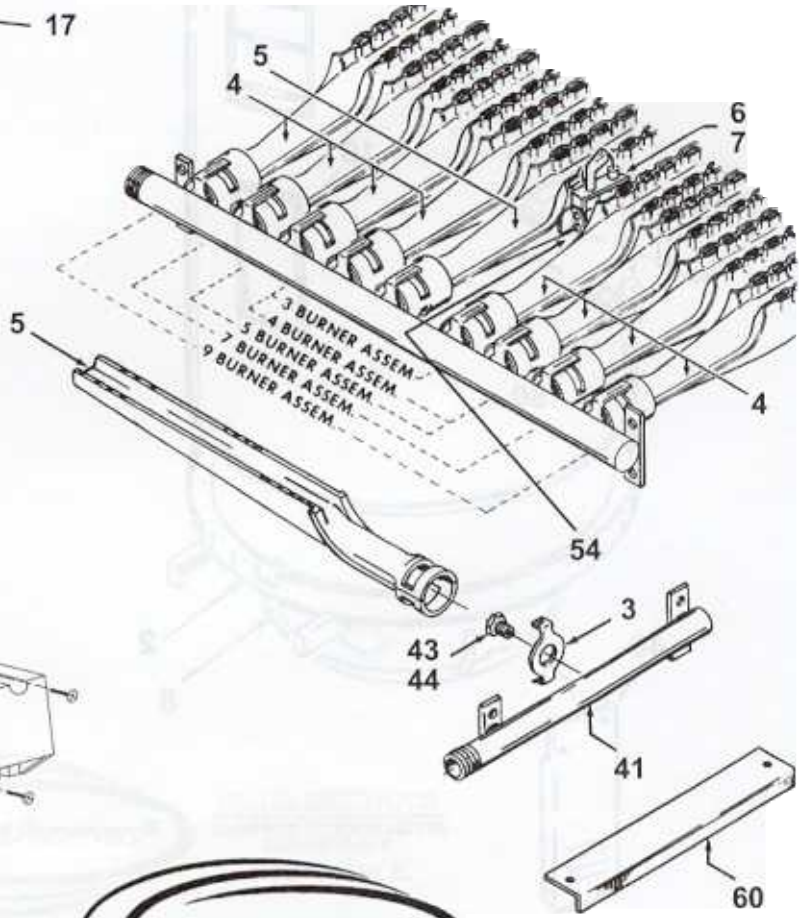
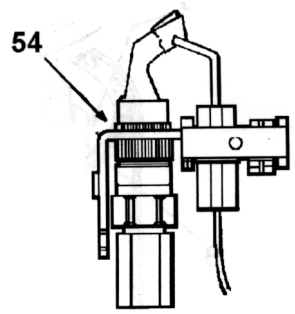
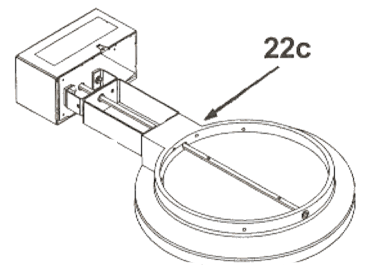
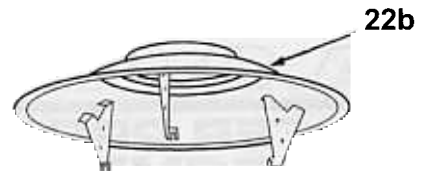
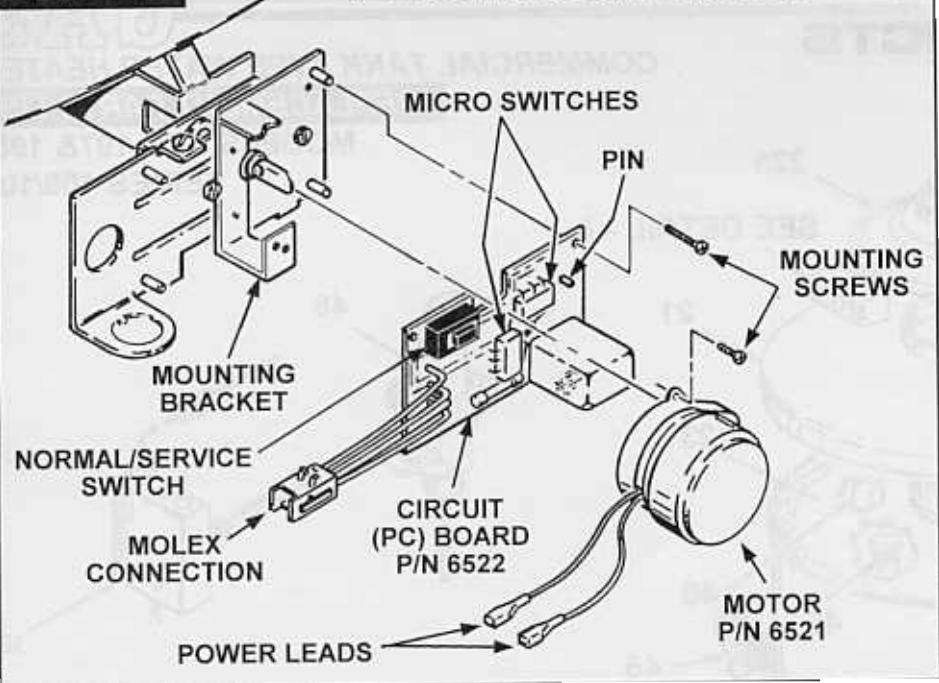
If you have any questions regarding the above policy, please contact the A.O. Smith Parts Department at 1-800-433-2545 or our Technical Information Center at 1-800-527-1953.

A.O. SMITH WATER PRODUCTS CO., INC.
5621 W. 115TH STREET • ALSIP, ILLINOIS 60803
PHONE: 1-800-433-2545
FAX: 1-800-433-2515 • www.hotwater.com



DETAIL - A

PC BOARD & DRIVE MOTOR



070468-0	99983-0 (.250 X .032)	070469-0 (.250 X .032)
		192834-0 (.187 X .032)



ITEM	PARTS DESCRIPTION	BTR 197	BTR 198
1	flue baffle	193696	193696
2	jacket base	193819	193819
3	main burner orifice bracket	98044(5)	98044(5)
4	main burner	98047	98047
5	main burner w/pilot bracket	193873-1	193873-1
6	pilot burner, natural	193314-4	193314-4
7	pilot burner, lp	193314-3	193314-3
8	floor shield assembly	193824	193824
9	collar	74060	74060
CLEANOUT ASSEMBLY			
11	gasket	99038	99038
12	pressure plate	99037	99037
13	screws, self tapping	69852	69852
17	control, ignition module	193325	193325
18	control, dual w/eco	192828	192828
19	cover, cleanout	181260	181260
20	cover, inner	193608	193608
21	jacket cover	97062-7	97062-7
22a	draft hood assembly	192957	192957
22b	draft hood	191790	191790
22c	damper drive assembly	194038-2	194038-2
23	top insulation	192867	192867
LABELS			
24	l & o label	193620	193620
26	cleanout	193914	193914
27	bilingual instruction	193912	193912
28	ultra coat	193860	193860
29	eco instruction	193911	193911
30	flammable vapors	192872	192872
31	help line	190600	190600
32	instruction	170345	170345
33	master fit	193859	193859
34	pilot	193915	193915
35	propane	182572	182572
36	relief valve	200042	200042
37	water inlet	161040	161040
38	water outlet	161040-1	161040-1
39	wiring diagram	193621	193621
40	leg	193826	193826
41	manifold	76244-2	76244-2
42	instruction manual	194027	194027
43	main burner orifice, natural	76243-32	76243-32
44	main burner orifice, lp	76243-49	76243-49
45	anode rod	43817-42	43817-42
46	t & p relief valve	99465-7	99465-7
47	transformer	193444	193444
48	pilot tubing	1417-60	1417-60
49	inlet tube	192626	192626
50	drain valve	26273-6	26273-6
51	gas valve natural	192827	192827
52	gas valve lp	192827-1	192827-1
53	wire conduit	193456-1	193456-1
54	ground wire	77948-7	77948-7
55	switch panel/mounting plate	193448	193448
56	off/on switch	193243	193243
57	bushing	193404	193404
58	jumper wire	193476	193476
59	control box panel	193447	193447