

ProMax[®] SPECIALTY ELECTRIC

PROMAX[®] SPECIALTY ELECTRIC FEATURES

TABLE TOP ELECTRIC WATER HEATERS

Feature convenient flat surface at 36" height, providing extra "counter space" wherever installed. All plumbing and electrical connections are made through back of water heater. 27 and 40-gallon capacities. Equipped with cross-link PEX cross-link polymer dip tube.

LOWBOY SIDE-CONNECT ELECTRIC WATER HEATERS

Feature compact design, side-mounted plumbing and electrical connections. Designed for installation under a counter, in a crawl space or in other tight spaces. Tank capacities from 10 through 40 gallons. Single heating element.

POINT-OF-USE ELECTRIC WATER HEATERS

Designed for low-demand point-of-use applications, such as lavatories in offices, or any building with remote restrooms. 2-gallon and 4-gallon tank capacities, with single heating element. Includes 110/120V cord set with 3-prong plug (optional on 240V models). Also includes wall-mounting brackets for easy installation.

**All PROMAX[®] SPECIALTY ELECTRIC WATER HEATERS
EQUIPPED WITH FACTORY-INSTALLED TEMPERATURE &
PRESSURE (T&P) RELIEF VALVE, FOAM INSULATION TO
PROTECT AGAINST HEAT LOSS**

**CODE COMPLIANCE: CEC, CABO, HUD, BOCA NATIONAL
CODES, ASHRAE/IES 90.1-1999 AND 2004 NAECA**

**CERTIFIED TO UL 174 FOR HOUSEHOLD ELECTRIC
WATER HEATERS**



Table Top



Lowboy
Side-Connect



Point-Of-Use

A.O. Smith
Water Heaters

www.aosmithwaterheaters.com

ProMax[®] SPECIALTY ELECTRIC

| MODEL NUMBER | FIRST HOUR RATING GALLONS | ENERGY FACTOR | GALLON CAPACITY | ELEMENT WATTAGE | | RECOVERY 90°F RISE | R VALUE | DIMENSIONS IN INCHES | | | APPROX. SHIPPING WEIGHT (LBS.) |
|-----------------------------------|---------------------------|---------------|-----------------|-----------------|--------------|--------------------|---------|----------------------|---------|--------|--------------------------------|
| | | | | STANDARD 240V | MAXIMUM 240V | | | A | B | C | |
| TABLE TOP MODELS | | | | | | | | | | | |
| ESTT-30 | 45 | .89 | 27 | 4500 | 6000 | 21 | 12 | 36 | 25 | 21 | 141 |
| ESTT-40 | 52 | .88 | 40 | 4500 | 6000 | 21 | 12 | 36 | 25 | 24 | 174 |
| | | | | STANDARD 120V | MAXIMUM 240V | | | | | | |
| LOWBOY SIDE-CONNECT MODELS | | | | | | | | | | | |
| ELSC-10S | N/A | N/A | 10 | 1500 | 3000 | 7 | 16 | 18 | 12-1/2* | 18 | 51 |
| ELSC-15S | N/A | N/A | 15 | 1500 | 3000 | 7 | 16 | 25-3/4 | 20-1/2* | 18 | 66 |
| ELSC-20S | N/A | N/A | 19 | 2500 | 3000 | 11 | 15 | 22-1/4 | 15-3/8* | 21-3/4 | 84 |
| | | | | STANDARD 240V | MAXIMUM 240V | | | | | | |
| ECJ-30 | 37 | .93 | 29 | 4500 | 6000 | 21 | 16 | 30 | 24* | 22 | 100 |
| ECJN-40 | 43 | .92 | 38 | 4500 | 6000 | 21 | 12 | 31-1/4 | 24-5/8* | 23 | 131 |
| POINT-OF-USE MODELS | | | | | | | | | | | |
| ELJC-2 | N/A | N/A | 2 | 1440 @ 120V | | 7 | 8 | 12-3/4 | N/A | 10 | 21 |
| ELJC-4 | N/A | N/A | 4 | 1440 @ 120V | | 7 | 8 | 20 | N/A | 10 | 27 |

* "B" dimension is floor to T&P Valve and floor to hot water outlet.
Dimension from floor to cold water inlet on all lowboy side-connect models is 3-1/2".
Point-of-Use models have 1/2" inlet and outlet connections.

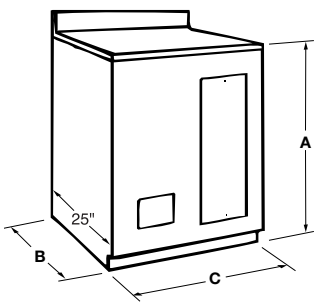
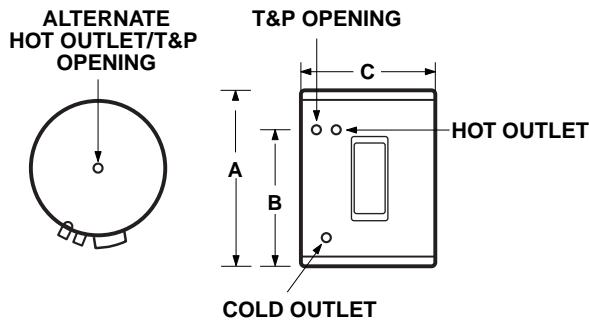
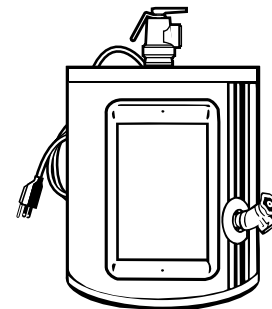


TABLE TOP



LOWBOY SIDE-CONNECT



POINT-OF-USE

A.O. Smith Water Heaters

500 Lindahl Parkway, Ashland City, TN 37015
www.aosmithwaterheaters.com

For Technical Information and Automated Fax Service, call 800-527-1953.
A. O. Smith Corporation reserves the right to make product changes or improvements without prior notice.