



SUBMITTAL SHEET

UNINSULATED TANKS

Job Name _____

Location _____

Engineer _____

Wholesaler _____

Mech. Contractor _____

Model No. _____

Diminsions _____

Notes _____

Standard Features:

5 Year Limited Warranty

- Magnesium Anode
- PERMAGLASS lining
- ASME Certified

Optional Equipment:

- 150 PSI for some models, please check the spec sheet for details
- Tank Saddles
- Export Configuration

UNINSULATED BARE STORAGE TANKS

A. O. Smith commercial water storage tanks are designed for use with domestic water systems and provide storage capacity for large water draws. These uninsulated storage tanks are glass lined, built and tested in accordance with ASME code Section IV, HLW. They are available in vertical and horizontal mounting options.

PERMAGLAS® GLASSLINING

- All internal surfaces exposed to water are glasslined per ASME HLW procedures
- Glass is highly resistant to effects of temperature, corrosion and electrolysis

SIZES FROM 80 TO 2,000 GALLONS

- For horizontal installations, optional tank saddles are recommended (Tanks 500 gallon and above must be specified Horizontal or Vertical)

CATHODIC PROTECTION

- Heavy duty anode rods provide advanced against corrosion.

WORKING PRESSURES

- Tanks tested at pressures assigned in accordance with working pressures shown in table on the following pages

CUSTOM TANKS

- For our full line of custom tanks, please see the A. O. Smith Custom-Line HD storage tank spec sheet

OPTIONS

- ASME and National Board Certification sheets - furnished upon request
- Tank saddles

FIVE-YEAR LIMITED TANK WARRANTY

- For complete information, consult written warranty or contact A. O. Smith

Attention: Significant changes have been made to models now manufactured in Lebanon, TN. Please note that this Spec Sheet refers to models manufactured in McBee, SC, and Lebanon, TN.

MODELS T-80 thru T-2000



**CRN
(OPTIONAL)**

DIMENSION AND SHIPPING WEIGHTS

Model Number	Gallon Capacity	Overall Dimensions Inches	A	B	C	D	E	F	G	H	J	K	N	P	Approx. Shipping Weight
T-80 STD	80	20 x 62-1/8	20	61-1/2	2	-	7	2	3/4	46-1/4	16	3-1/2	3-1/4	4	170
T-120 STD	119	24-1/4 x 65	24-1/4	64-3/8	2-1/2	-	7	2-1/2	3/4	34-1/2	15-1/2	10-1/2	3-1/2	4-1/8	287
T-200 STD	200	30 x 72	30	70-3/4	2-1/2	10	13	2-1/2	3/4	28-1/2	19-1/2	13	-	4	460
T-350 STD	350	36 x 88	36	86	2-1/2	14	16	2-1/2	3/4	31-1/2	20-1/4	16	-	4	670
T-140 ASME	140	24 x 76-1/4	24	75	2-1/2	8	12	2-1/2	3/4	27-1/2	18-1/2	12	-	4	400
T-200 ASME	200	30 x 72	30	70-3/4	2-1/2	10	13	2-1/2	3/4	28-1/2	19-1/2	13	-	4	460
T-250 ASME	250	30 x 84	30	84	2-1/2	10	13-1/4	2-1/2	3/4	28-1/2	19-1/2	13	-	4	505
T-350 ASME	350	36 x 88	36	86	2-1/2	14	16	2-1/2	3/4	31-1/2	20-1/4	16	-	4	670
T-400 ASME	400	36 x 97	36	96	2-1/2	14	16	2-1/2	3/4	31-1/2	20-1/4	16	-	4	775

Working pressure for all models less than 500 gallons, is 160 PSI

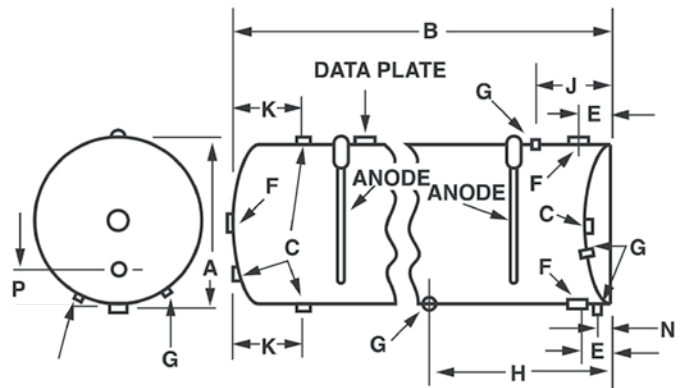


FIGURE 1 -T-80, T-120
NOTE:T-120 SHOWN.

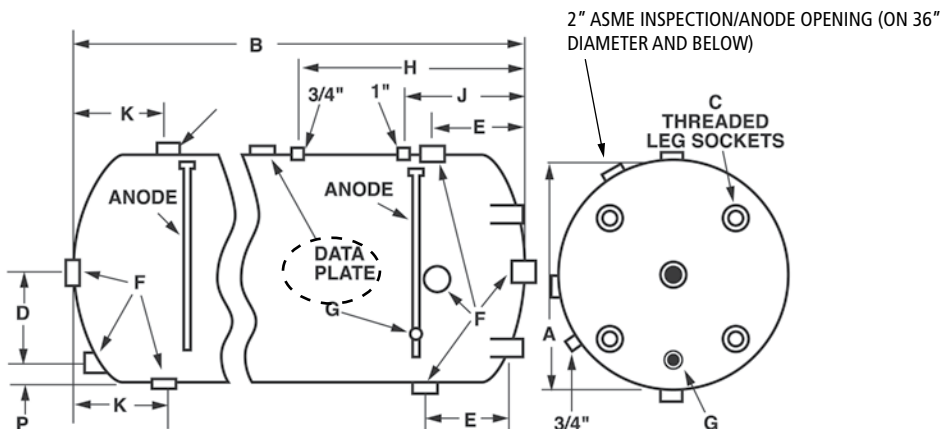
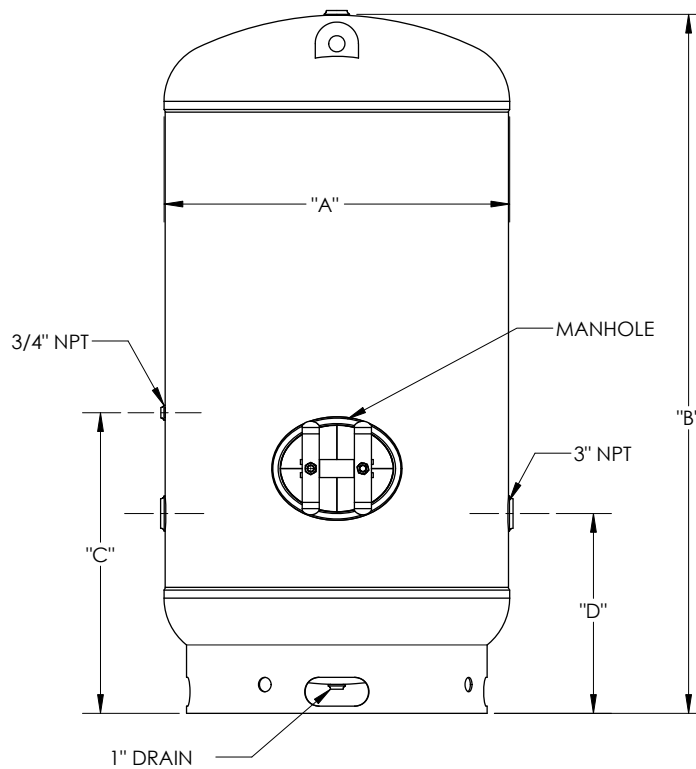


FIGURE 2 -T-140 THRU T-400A

DIMENSION AND SHIPPING WEIGHTS

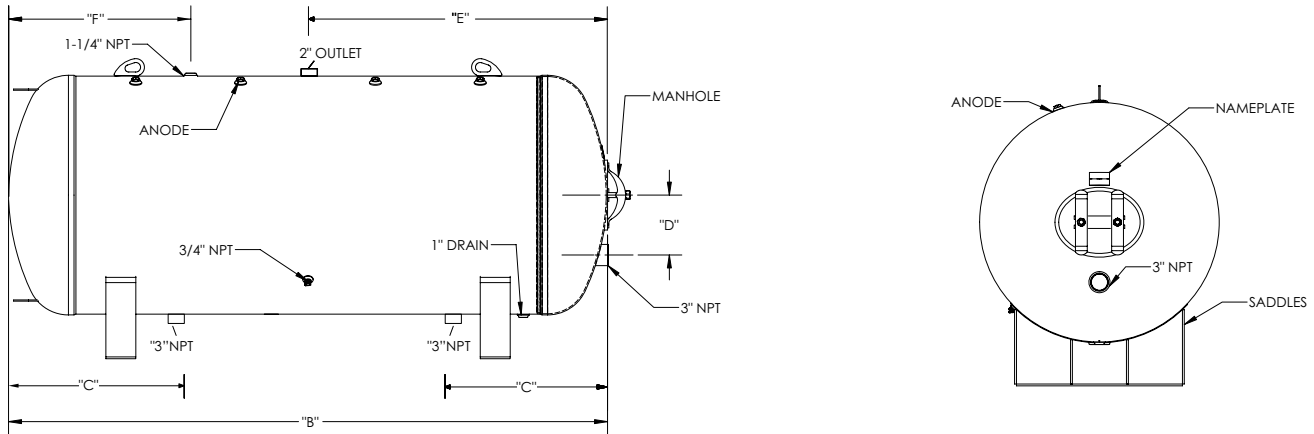
Model Number	Gallons	A Diameter	B Height	C	D	Weight (LBS) - Glass 125 psi
TVN-500A	500	42	87	36.875	20.875	763
TV-600A	600	48	88	36.875	20.875	1193
TV-700A	700	48	97	36.875	20.875	1301
TV-750A	750	48	100	36.875	20.875	1337
TV-1000A	1000	48	124	36.875	20.875	1623
TV-1250A	1250	54	128	38.375	22.375	2100
TV-1500A	1500	60	124	39.875	23.875	2709
TV-1750A	1750	60	148	39.875	23.875	3156
TV-2000A	2000	72	121	42.375	26.375	3397

Working Pressure 125 PSI standard, 150 PSI optional.



Model Number	Gallons	A Height	B Length	C	D	E	F	Weight (LBS) - Glass 125 psi
THN-500A	500	42	83	29.5	12	39.5	27.25	763
TH-600A	600	48	84	31.5	12	42	28.5	1193
TH-700A	700	48	93	31.5	12	43.5	30.75	1301
TH-750A	750	48	96	31.5	12	46	30.75	1337
TH-1000A	1000	48	120	31.5	12	60	36.5	1623

Working Pressure 125 PSI standard, 150 PSI optional.



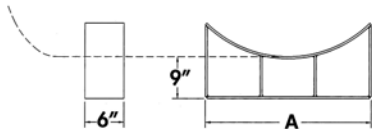
30" - 72" DIAMETER HORIZONTAL TANKS

OPTIONAL TANK SADDLES FOR HORIZONTAL TANK INSTALLATIONS

TANK SADDLE DIMENSIONS

Tank Diameter
30 36 42 48 54 60 72

A 21" 25" 29" 34" 48" 52" 62"



NOTE: Alternate saddle heights are available.
(Consult factory)

TANK SADDLES

A.O. SMITH PART NO.	SADDLE DESCRIPTIONS
100170345	SADDLE, TANK, 24", 9" CLR, P-1
100170349	SADDLE, TANK, 30", 9" CLR, P-1
100170338	SADDLE, TANK, 28", 9" CLR, P-1
100170352	SADDLE, TANK, 36", 9" CLR, P-1
100170355	SADDLE, TANK, 42", 9" CLR, P-1
100170358	SADDLE, TANK, 48", 9" CLR, P-1
100170361	SADDLE, TANK, 54", 9" CLR, P-1
100170365	SADDLE, TANK, 60", 9" CLR, P-1
100170371	SADDLE, TANK, 72", 9" CLR, P-1

SUGGESTED SPECIFICATION

Glasslined storage tank(s) shall be A. O. Smith glasslined storage tank(s) or equal. Tank(s) shall be ____" x ____" and have a nominal capacity of _____ gallons. Tank(s) shall have threaded openings as shown on drawings. Exterior of tank(s) shall be thoroughly cleaned and painted. Interior of tank(s) shall be glasslined with an alkaline borosilicate composition which has been fused to the steel base by firing at a temperature of 1600°F. Cathodic protection shall be provided. The storage tank(s) shall have a working pressure of _____ psi. The storage tank shall have a five-year limited warranty as outlined in the written warranty.

For technical information, call 800-527-1953. A. O. Smith Corporation reserves the right to make product changes or improvements without prior notice.