



SUBMITTAL SHEET

JACKETED AND INSULATED TANKS

Job Name _____

Location _____

Engineer _____

Wholesaler _____

Mech. Contractor _____

Model No. _____

Tank Construction _____

Working Pressure _____

Diminsions _____

Notes _____

Standard Features:

- 5 Year Limited Warranty
- Magnesium Anode
- PERMAGLASS lining
- ASME Certified

Optional Equipment:

- 150 PSI for some models, please check the spec sheet for details
- Export Configuration

FACTORY JACKETED AND INSULATED STORAGE TANKS

Large volume tanks are designed for storing potable water.

FEATURES

STANDARD SIZES - From 140 to 2,500 gallons - A. O. Smith stocks vertical factory jacketed and insulated tanks from 140 gallons up to 2,500 gallons for fast delivery and retrofit applications. All stock tanks are glasslined with standard tank openings as shown on following pages. For custom or larger capacities, see our custom line tanks or consult your factory representatives.

ASME CODE CONSTRUCTION - All tanks are constructed to the requirements of the ASME. Please check the tables below for specific working pressures - standard and optional.

INSULATION - The unfired hot water storage tanks are insulated to meet ASHRAE 90.1 (current edition) depth of insulation cavity requires use of remote bulb-type tank temperature control and thermometer. Storage tanks meet R12.5 minimum thermal insulation requirements of the U.S. Department of Energy and current edition of ASHRAE/IESNA 90.1

CABINET - Heavy gauge steel with high quality paint.

LINING - Thorough investigation on the service life of steel tanks with protective coatings or linings has led to the recommendations of the following lining:

- Glasslined - These are normally stocked tanks for water storage up to 180°F, with glass lining to prevent corrosion and addition of rust to water. The glass lining was developed over many years of ceramic research for a wide variety of conditions.

CATHODIC PROTECTION - Tanks are furnished with anodes designed for maximum protection.

ACCESSORIES - Tanks will be supplied with the fittings located as indicated on the drawings unless specified otherwise.

Attention: Significant changes have been made to models now manufactured in Lebanon, Tn. Please note that this Spec Sheet refers to models manufactured in MeBee, SC and Lebanon, Tn.

MODELS TJV AND TJH



Low Lead Content



HLW

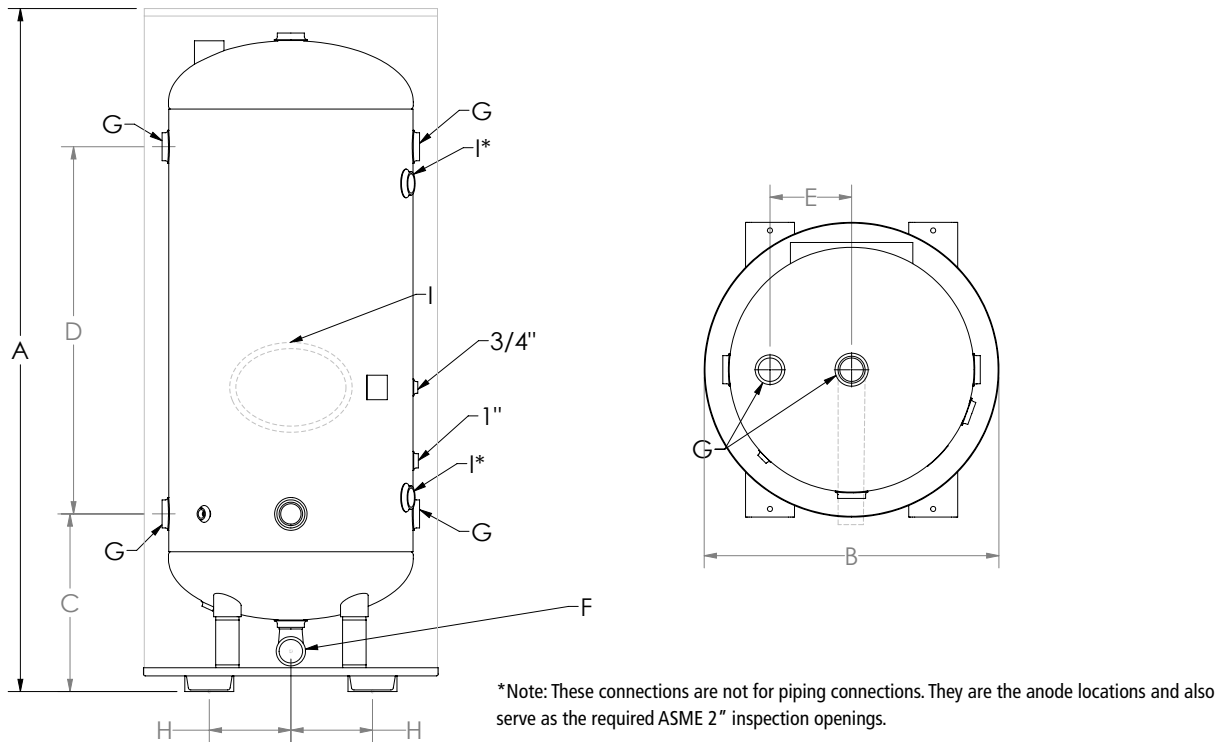


U

OPTIONAL

CRN

STORAGE TANK SELECTION TJV-140 THRU TJV-400 FIGURE 1.



- NOTE:**
- Other tanks to 72" diameter and 3500 gallon are available on special order.
 - All openings Female Pipe Thread except as noted.
 - "F" opening Male Pipe Thread.

Model Number	Nominal Capacity	A	B	C	D	E	F	G	H	"1" ASME Inspection Openings
TJV-140A	140	87	30	21 1/2	51	8	1-1/2	2-1/2	6-3/8	2"
TJV-200A	200	83	36	22	45	10	1-1/2	2-1/2	7-3/4	2"
TJV-250A	250	96	36	22	58	10	1-1/2	2-1/2	7-3/4	2"
TJV-350A	350	97	42	24 1/2	54	14	1-1/2	2-1/2	9-1/2	2"
TJV-400A	400	105	42	24 1/2	61	14	1-1/2	2-1/2	9-1/2	2"

Working pressure for all models less than 500 gallons is 160 PSI

DIMENSIONS AND SPECIFICATIONS FOR VERTICAL TANKS

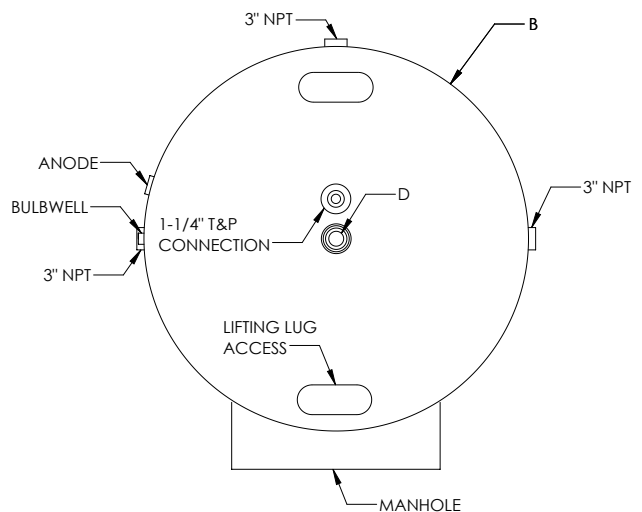
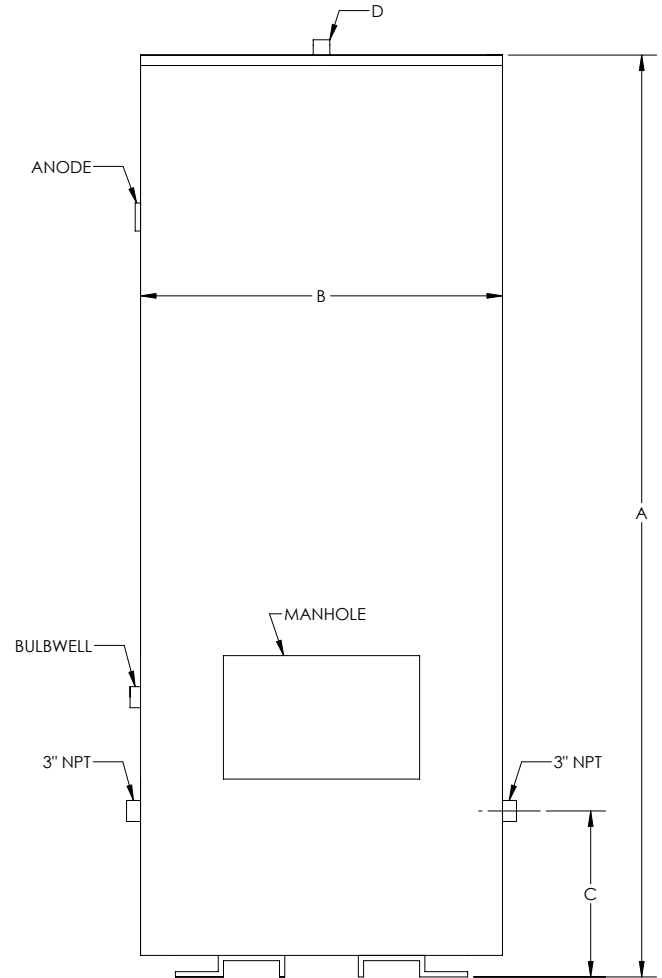
VERTICAL ROUND JACKETED ASME

Model Number	A	B	C	D	Nominal Capacity
TJVT-500A	91	46	20.875	2"	500
TJV-600A	92	52	22.875	2"	600
TJV-700A	101	52	22.875	2"	700
TJV-750A	104	52	22.875	2"	750
TJV-1000A	128	52	22.875	2"	1000

Working PSI of 125 is standard on all models 500 gallon and above. 150 PSI is an available option.

VERTICAL SQUARE JACKETED ASME

Model Number	A	B	C	D	Nominal Capacity
TJV-1250A	133	60	24.375	3"	1,250
TJV-1500A	129	66	25.875	3"	1,500
TJV-2000A	126	78	28.375	3"	2,000



CAUTION

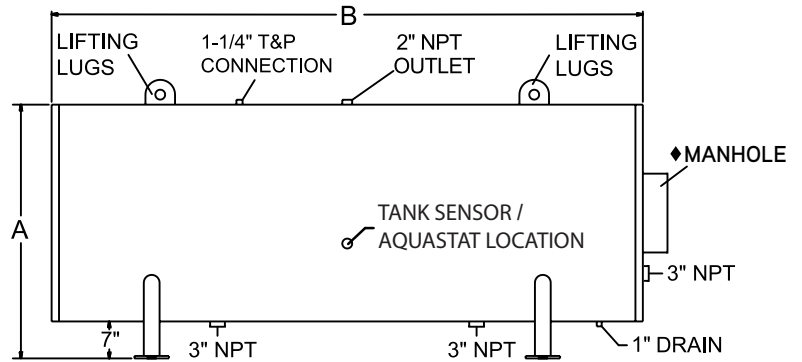
All openings are shipped open and unused. Openings must be plugged or capped at time of installation except as noted.

DIMENSIONS AND SPECIFICATIONS FOR HORIZONTAL TANKS

HORIZONTAL ROUND JACKETED ASME TANKS

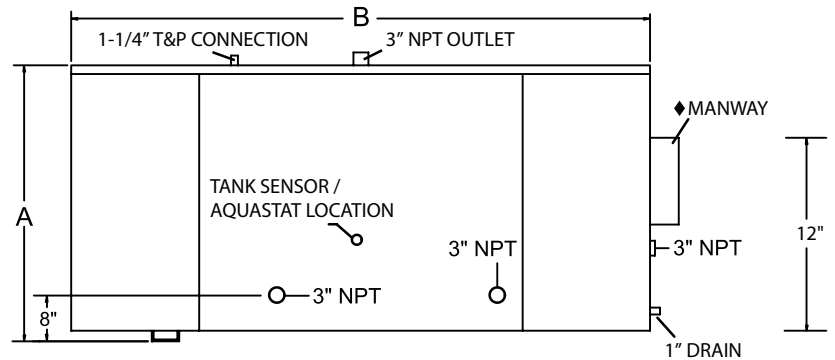
Model Number	A	B	Diameter	Nominal Capacity
TJH-250A	41	87	34	250
TJH-300A	47	76	40	300
TJH-400A	53	76	46	400
TJHT-500A	53	87	46	500
TJH-600A	59	88	52	600
TJH-700A	59	97	52	700
TJH-750A	59	100	52	750
TJH-1000A	59	124	52	1000

Working PSI of 125 is standard on all models 500 gallon and above. 150 PSI is an available option.



HORIZONTAL SQUARE JACKETED ASME TANKS

Model Number	A	B	Depth	Nominal Capacity
TJH-1250A	68.5	134	60.25	1,250
TJH-1500A	74.5	127	66.25	1,500
TJH-2000A	86.5	127	78.25	2,000
TJH-2500A	86.5	144	78.25	2,500



LIMITED WARRANTY OUTLINES

GLASSLINED: If the tank should leak anytime during the first five years, under the terms of the warranty, A. O. Smith will repair or replace the tank; installation, labor and handling extra.

NOTE: THIS OUTLINE IS NOT A WARRANTY. For complete information, consult the written warranty or A. O. Smith. Warranty does not apply to product installed outside of the United States of America or its territorial possessions and Canada.

SAMPLE SPECIFICATION FOR CUSTOM-LINE STORAGE TANKS

When jacketed or insulated these models meet R12.5 minimum thermal insulation requirements of the U.S. Department of Energy and current edition of ASHRAE/IESNA 90.1. ASME storage tank to be A. O. Smith Custom-Line model _____. Capacity to be _____ gallons with a diameter of _____ inches. Tank(s) shall be constructed and stamped according to ASME specification for _____ psi working pressure. Manhole (12 X 16), handhole (4x6) or inspection openings (2-2") shall be installed in accordance with ASME code requirements and manufacturer(s) standard practice. Tank to be constructed of (carbon steel) _____. Lining shall be (glass) _____. Tank(s) lined with (glass) _____ lining shall be equipped with the number and size of magnesium anode rod(s) sufficient to provide adequate protection for the tank lining. Tank shall be (vertical, horizontal) _____ design and provided with _____ ring base, (or _____ Saddles.)

For Technical Information call 800-527-1953. A. O. Smith Corporation reserves the right to make product changes or improvements without prior notice.