



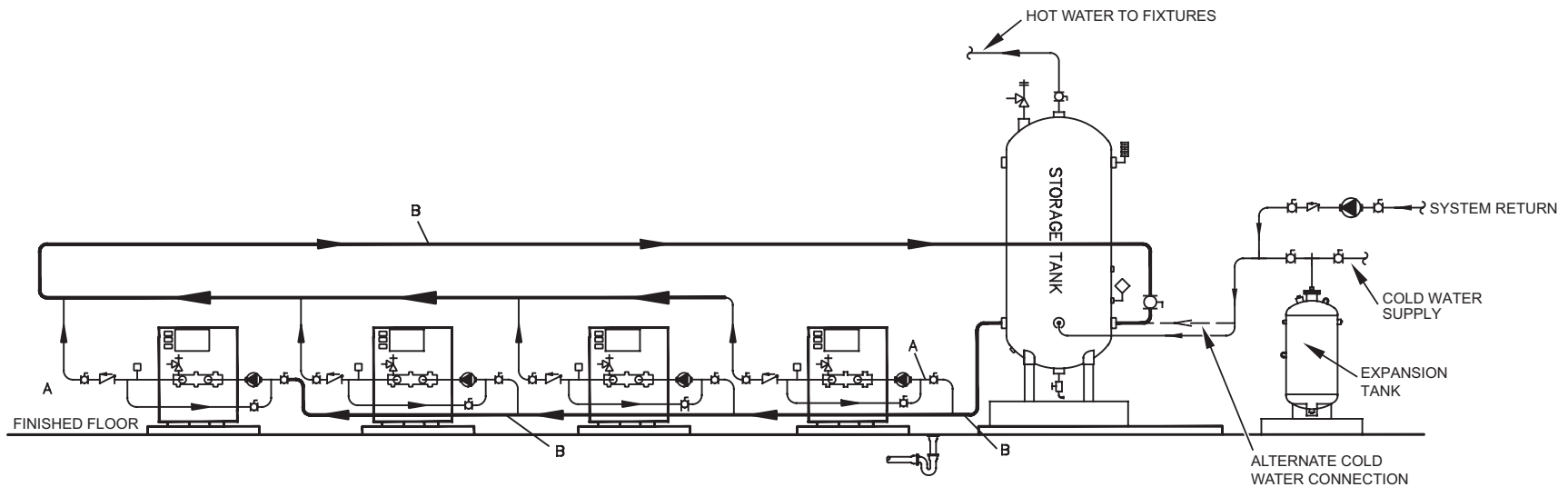
GENESIS BOILERS GW (300-2500) - FOUR BOILERS/VERTICAL STORAGE TANK RECOVERY SYSTEM (ONE TEMPERATURE)

CAUTION: THIS DRAWING SHOWS SUGGESTED PIPING CONFIGURATION AND OTHER DEVICES; CHECK WITH LOCAL CODES AND ORDINANCES FOR ADDITIONAL REQUIREMENTS.

LEGEND

- TEMPERATURE & PRESSURE RELIEF VALVE
- TEMPERATURE CONTROL PROBE
- CHECK VALVE
- PRESSURE RELIEF VALVE
- DRAIN
- TEMPERATURE GAGE
- CIRCULATING PUMP
- FULL PORT BALL VALVE
- WATER FLOW SWITCH

GENESIS BOILER MODEL (GW)	BOILER PIPING SIZE "A" (INCH)	MANIFOLD PIPING SIZE "B" (INCH)
300-400	1 1/2	3
500-750	2	4
1000-2500	2 1/2	6



NOTES:

1. Preferred piping layout.
2. The temperature and pressure relief valve setting shall not exceed pressure rating of any component in the system.
3. Service valves are shown for servicing boiler. However, local codes shall govern their usage.
4. A. O. Smith piping method is based on 50 equivalent feet of piping. Boiler placement shall be as close as practical to the storage tank. Applications in excess of these recommendations shall require a licensed engineer for design assistance.
5. Pumps are mounted on rear header of each boiler. (1000-2500)
6. Temperature control probe (quad thermistor probe, P/N 9006905005) must be installed onto the tank, and connected to each boiler.